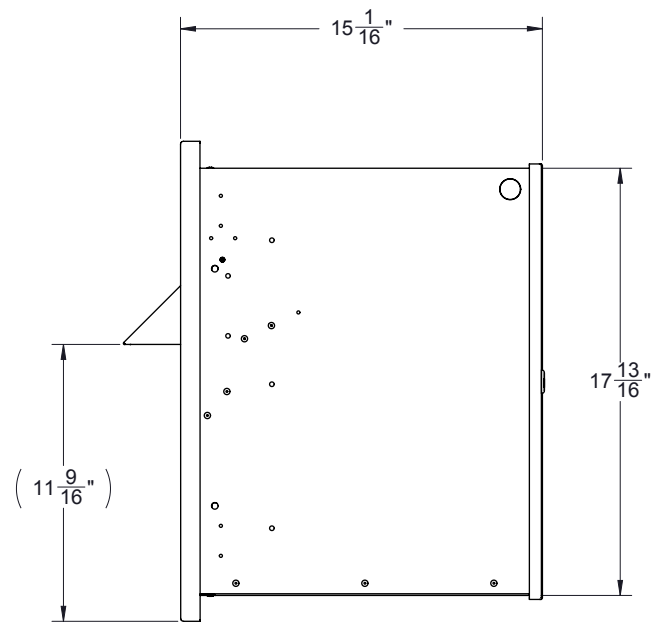
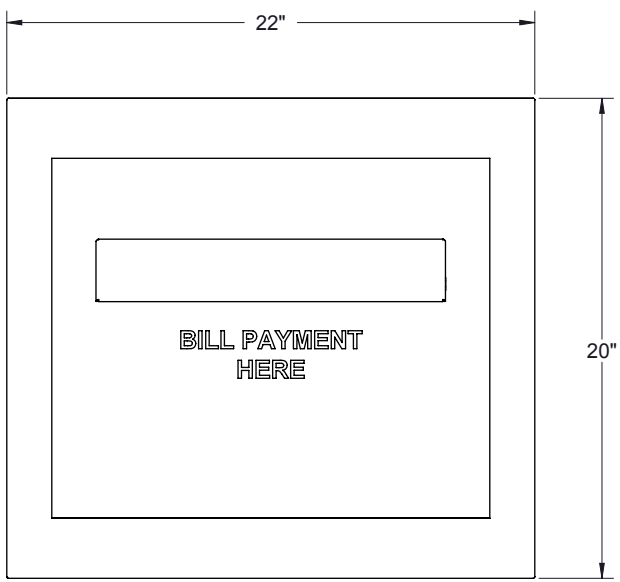
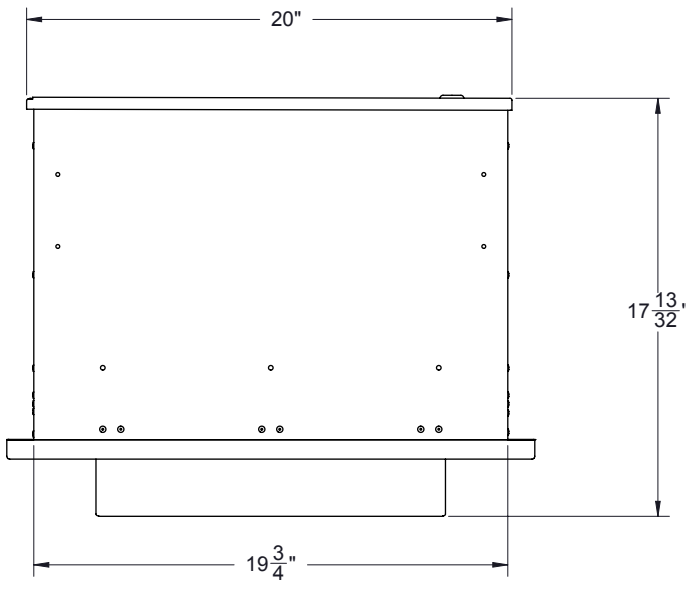


D  
C  
B  
A

D  
C  
B  
A



**GENERAL NOTES (U.N.O.)**

1. USE MINIMUM BEND RADIUS AND RELIEF.
2. DEBURR AND BREAK ALL SHARP EDGES.



THE INFORMATION CONTAINED IN THIS DRAWING IS THE SOLE PROPERTY OF THE JMC GROUP. ANY REPRODUCTION IN PART OR AS A WHOLE WITHOUT THE WRITTEN PERMISSION OF THE JMC GROUP IS PROHIBITED.

UNLESS NOTED OTHERWISE (U.N.O.) DIMENSIONS ARE IN INCHES

**TOLERANCES**  
 XX = +/- 0.03  
 XXX = +/- 0.10  
 ANGLES (ASSUME 90.0° U.N.O.)  
 X° = +/- 1.0°  
 .X° = +/- 0.5°

DO NOT SCALE DRAWING

MATERIAL: SEE PARTS		
FINISH: SEE PARTS		
<b>REV: -</b>		
DRAWN	NAME	DATE
CHECKED	BA	11/2/09

<b>TITLE: EASE THROUGH WALL ENVELOPE DEPOSITORY</b>		
DWG NUMBER:	PART NUMBER:	
	<b>12-8100</b>	
SCALE: 1:10	SIZE: B	SHEET: 2 of 2

Release