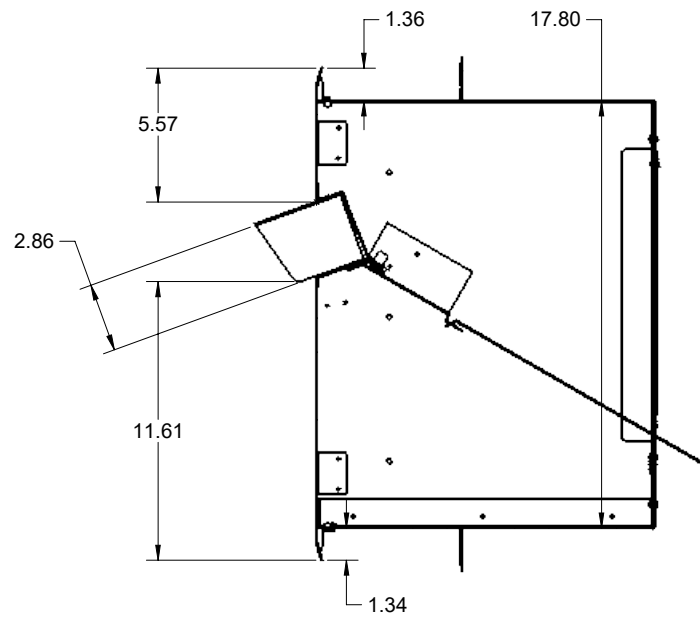
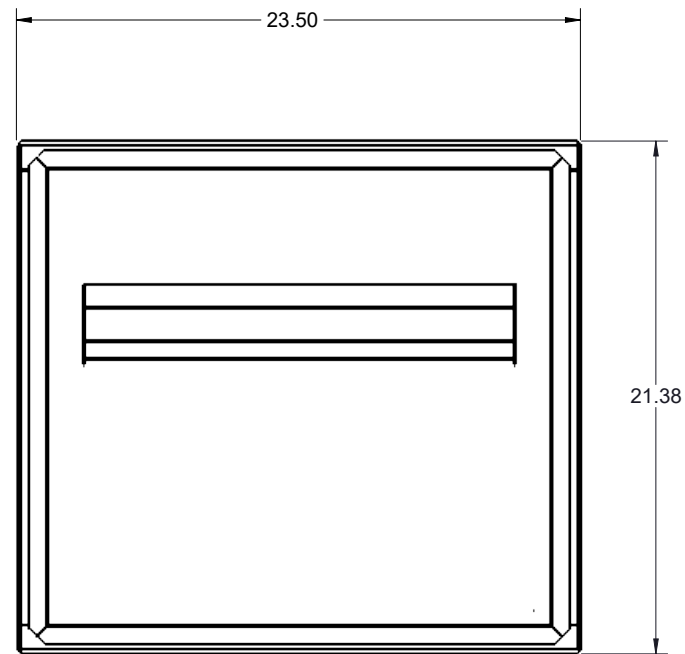
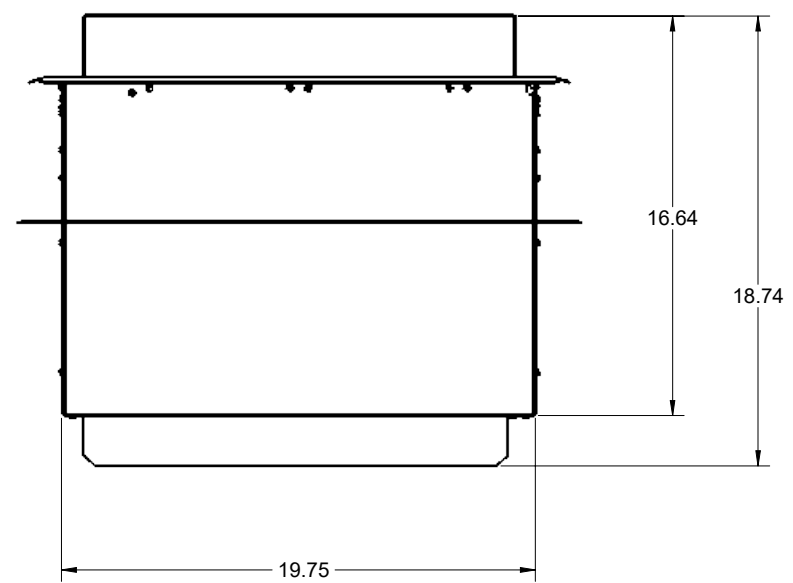
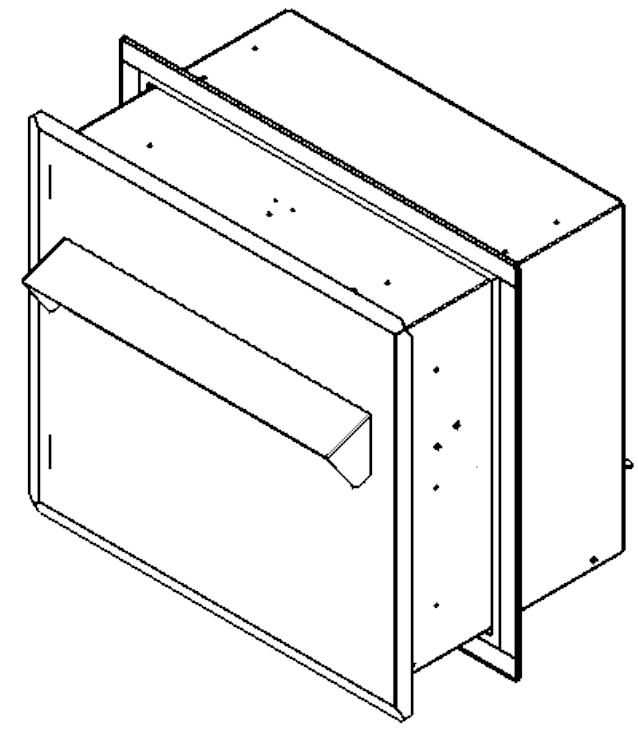



8 7 6 5 4 3 2 1

D
C
B
A



SECTION A-A



DO NOT SCALE DRAWING UNLESS OTHERWISE SPECIFIED:		MATERIAL SEE PARTS		 KINGSLEY COMPANIES TITLE: EASE SINGLE DROP THRUWALL		
DIMENSIONS ARE IN INCHES TOLERANCES: ANGULAR: MACH $\pm 0.25^\circ$ BEND $\pm 1^\circ$ LINEAR: .X $\pm .06$.XX $\pm .03$.XXX $\pm .010$ INTERPRET GEOMETRIC TOLERANCING PER: ASME Y14.5M-1994		FINISH SEE PARTS				
PROPRIETARY AND CONFIDENTIAL THE INFORMATION CONTAINED IN THIS DRAWING IS THE SOLE PROPERTY OF KINGSLEY COMPANIES. ANY REPRODUCTION IN PART OR AS A WHOLE WITHOUT THE WRITTEN PERMISSION OF KINGSLEY COMPANIES IS PROHIBITED.		NAME J BOLING	DATE 2/25/18	PRT. NO. 10-8100-P	REV C	SHEET SIZE B
		CHECKED		DWG. NO. 10-8100-P-P	REV C	
		SCALE: 1:8		SHEET 1 OF 1		

8 7 6 5 4 3 2 1